

WARNING

BEFORE USING THIS K.O. POWERHEAD, READ AND FOLLOW THE WARNINGS AND INSTRUCTIONS CONTAINED IN THIS MANUAL.

Failure to read and properly execute the instructions and warnings in this manual could result in serious injury, death or damage to property.

Do not attempt to practice loading or unloading with live ammunition without a thorough understanding of the safe operation of this powerhead.

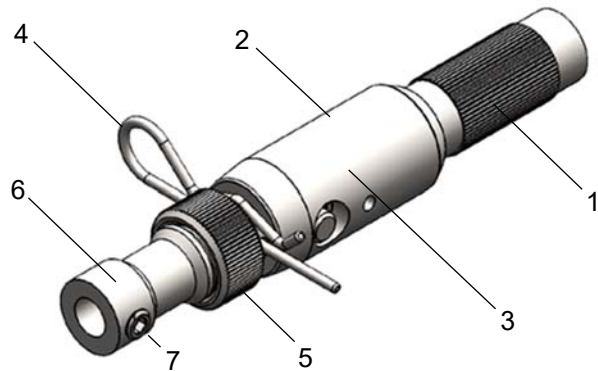
Treat any powerhead as if it were loaded.

Always store and carry this product empty and on safe. Failure to do so could result in an unintentional discharge.

Keep out of reach of children.

When pressure is applied to the end of the barrel, you must expect the powerhead to fire and take full responsibility for your actions.

Read through the entire manual before attempting to use this product.



- | | |
|--------------------------|----------------------------|
| 1. BARREL | 5. KNURLED SAFETY NUT |
| 2. BREECH | 6. RECEIVER (FOR ATTACHING |
| 3. FIRING PIN (INTERNAL) | SPEAR SHAFT OR GATOR POLE) |
| 4. HAIRPIN SAFETY | 7. RECEIVER SET SCREW |

K.O. POWERHEAD WITHOUT SPEAR SHAFT OR GATOR POLE ATTACHMENT

K.O. Powerheads, LLC is in full compliance with ATF specifications per Federal Revenue Ruling #55-569

SAFETY FEATURES

This K.O. Powerhead is equipped with two safety features which if properly employed can minimize the danger of accidental discharge.

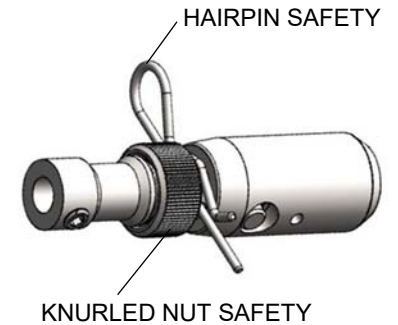
NOTE: Never rely on mechanical safeties to overcome improper maintenance or unsafe handling practices. Always point the barrel in a safe direction.

HAIRPIN SAFETY

The hairpin safety is a pin between the breech and the knurled safety nut that when inserted will prevent the inner spring from compressing and engaging the firing pin. Always use both safeties until ready to fire.

KNURLED NUT SAFETY

The knurled nut safety is a nut below the breech that when screwed flush against the breech or hairpin safety will prevent the inner spring from compressing and engaging the firing pin. Always use both safeties until ready to fire.



ASSEMBLY

All K.O. Powerheads are either assembled as a bangstick (attached to a gator pole) or permanently attached to an aluminum shaft measuring at least 26" from the firing pin to the end of the shaft as required by Federal Revenue Ruling #55-569.

To remain compliant with ATF regulations, only attach powerhead to a spear shaft or gator pole measuring 26" or longer after removing the barrel from the breech.

1) Remove barrel from powerhead, 2) cut heat shrink away from set screw, 3) loosen set screw with a 1/8 inch Allen wrench, 4) thread onto spear shaft or gator pole with a permanent, high strength, thread lock bonding agent, 5) tighten receiver set screw then 6) reattach barrel.

Only AFTER bonding agent has created a permanent bond should you reattach barrel.

AMMUNITION

Use only high-quality, original factory-manufactured ammunition.

Use only ammunition of the caliber for which your powerhead BARREL is designed. Never attempt to use ammunition of any other caliber in your barrel.

The use of reloaded, "remanufactured," handloaded or other non-standard ammunition can cause severe damage to the powerhead and serious injury to the user or others.

Waterproofing your ammunition: The manufacturer suggests using a waterproof ammunition sealant for underwater use. A slightly less effective option, is using fingernail polish. Place fingernail polish around the seam where the casing and projectile meet and around the primer. Let dry before use.



LOADING AND UNLOADING

Do not attempt to practice loading or unloading with live ammunition without a thorough understanding of the safe operation of this powerhead.

Keep barrel pointed in safe direction and follow all safety procedures at all times.

With knurled nut safety and hairpin safety in place, unscrew the barrel and insert round of the caliber for which your powerhead barrel is designed with the primer end of the round at the back of the barrel (threaded end).

Screw barrel back on breech.

The powerhead is now fully loaded and ready to fire. Keep barrel pointed in a safe direction, unscrew knurled nut safety and remove hairpin safety to fire.

Always unload powerhead immediately after use and before storage.

FIRING YOUR POWERHEAD

When ready to fire, turn knurled safety nut away from breech and remove hairpin safety. Make sure target is at least 12 inches from the end of the barrel. Always make flush contact with the front face of the powerhead barrel and your target so there is enough pressure on the spring for the firing pin to make contact with the projectile's primer. Immediately apply both powerhead safeties.

If you experience a misfire, apply safeties and wait a minimum of 10 seconds to remove round.

CLEANING AND LUBRICATION

After each use, rinse with clean water, let dry and lightly spray with a silicone spray. WD-40 also works great. Without enough lubrication and your powerhead may not function properly; too much and you risk attracting damaging dirt and debris to the bearing surfaces, causing undo wear and potential functioning problems. All metal parts, even stainless steel, should be lightly lubricated.

You should not have rust on your powerhead!

For long-term storage or if you live in a particularly damp or salty area, a good-quality rust preventative should be used.

SPARE PARTS

Only use genuine K.O. Powerheads spare parts. Use of inferior aftermarket parts can create unsafe conditions. Modifications and alterations of the powerhead should be done by K.O. Powerheads only.

Call (813) 355-7740 for more information on your Powerhead or visit the K.O. Powerheads website at www.kopowerheads.com.



K.O. Powerheads, LLC is in full compliance with ATF specifications per Federal Revenue Ruling #55-569

